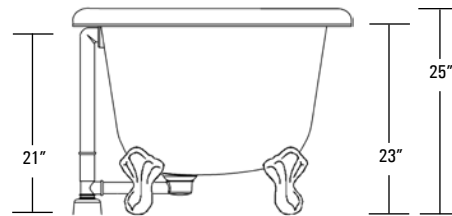
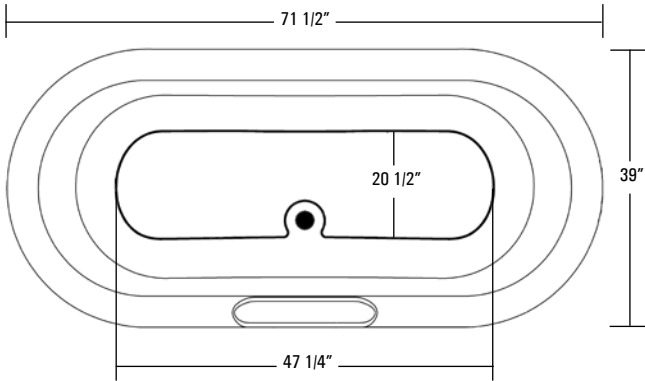
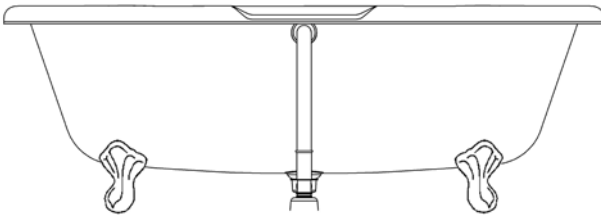


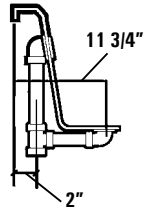
RESTORATION 4

AQUATIC

RESTORATION SERIES MODEL # AIY6717TO



Rough-In Plumbing Measurements



SPECIFICATIONS:

GENERAL SPECIFICATIONS:

Tub Size	71 1/2" x 39" x 25"
	182 cm x 99 cm x 64 cm
Bathing Well	47 1/4" long
	20 1/2" wide
	16 1/2" interior depth
Shipping Weight	194 lbs. / 88 kg
Tub Weight Filled	784 lbs. / 356 kg
Tub Only Weight	126 lbs. / 57 kg
Gallons to Overflow	79 gal. / 299 L

STANDARD EQUIPMENT:

Aquatic Quality Features:

- Slip Resistant Floor
 - Deep Bathing Well
 - Claw Feet Available in Chrome, Polished Brass, Satin Nickel, Polished Nickel, Oil Rubbed Bronze and White
 - Thick, Durable Acrylic Surface
 - Available in White Only
- UL & IAPMO Listed**
Limited Lifetime Warranty

OPTIONAL EQUIPMENT:

- Comfort Pillow - Oval or Rectangle (White, Biscuit or Black)
- Freestanding Waste and Overflow
 - Chrome, Polished Brass, Polished Nickel, Satin Nickel, Oil Rubbed Bronze or White

Fax-On-Demand
Document #1264



The manufacturer accepts a 1/4" variance. There are variations on each tub and specifications are subject to change as we improve upon our product as required. The dimensions needed for site preparation and structure building should be measured from the tub; Aquatic Industries, Inc. assumes no responsibility for preparatory work.

www.aquaticwhirlpools.com 800.555.5324